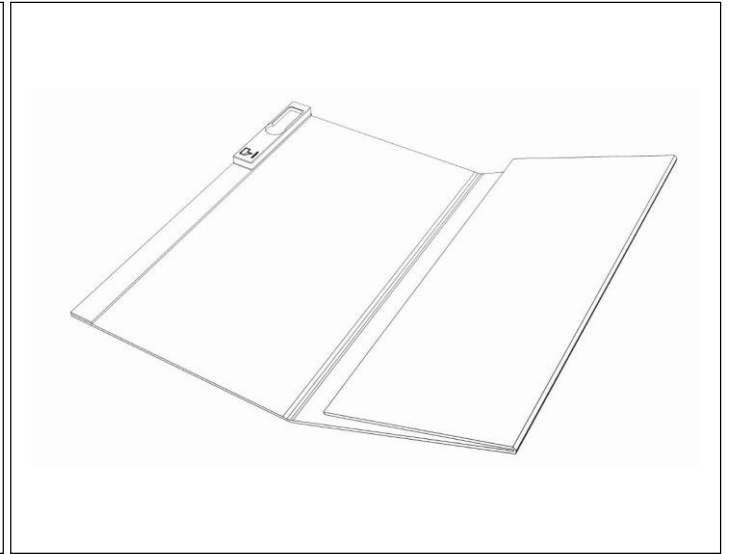
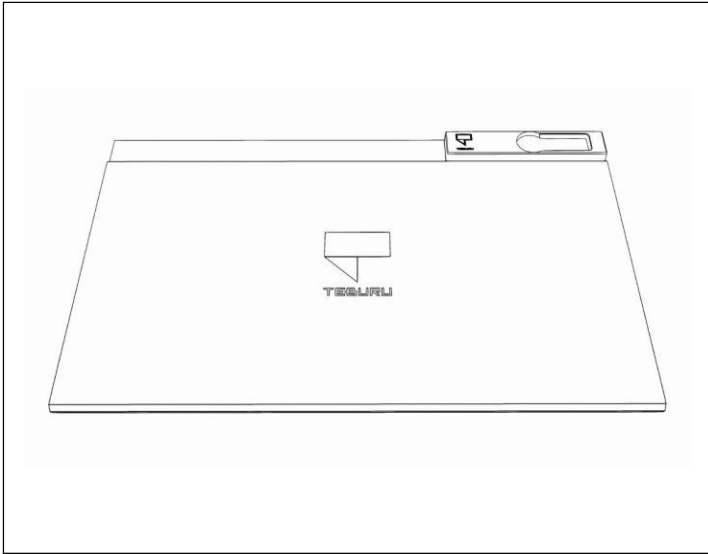
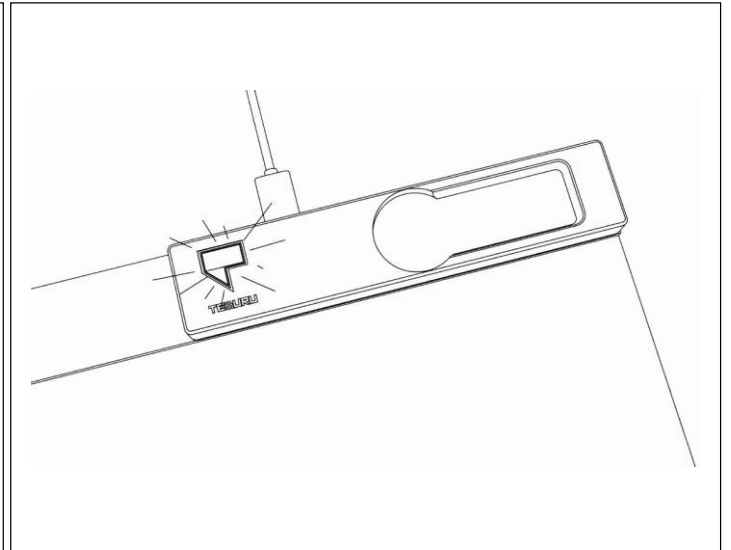
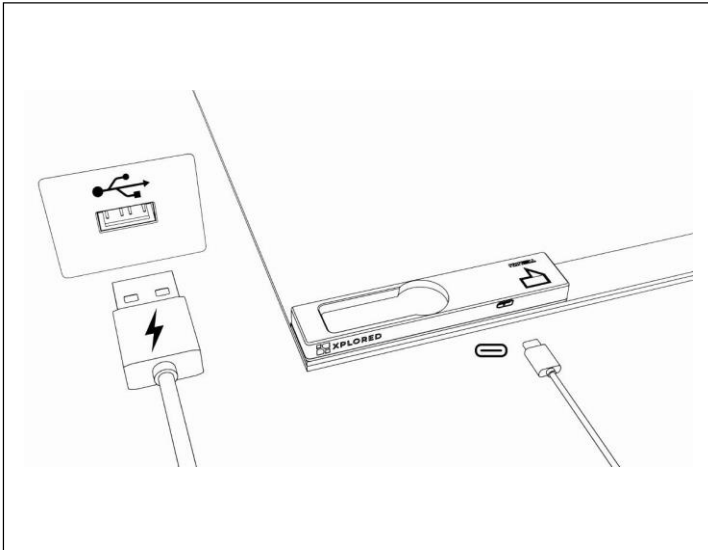


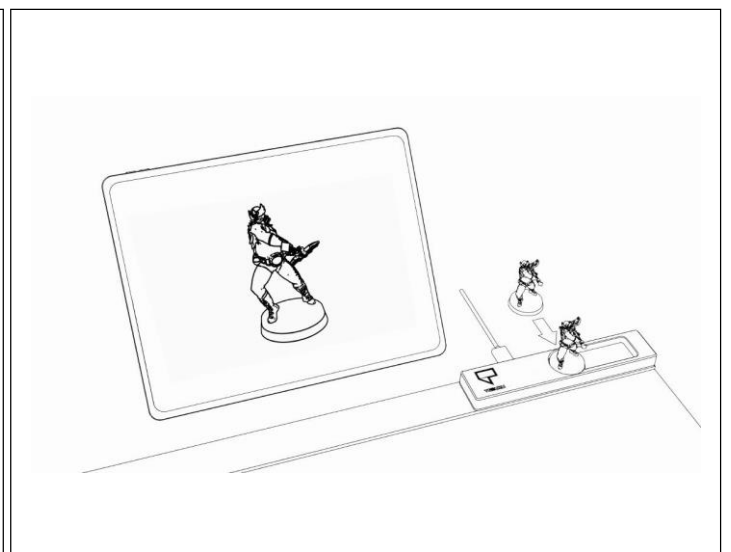
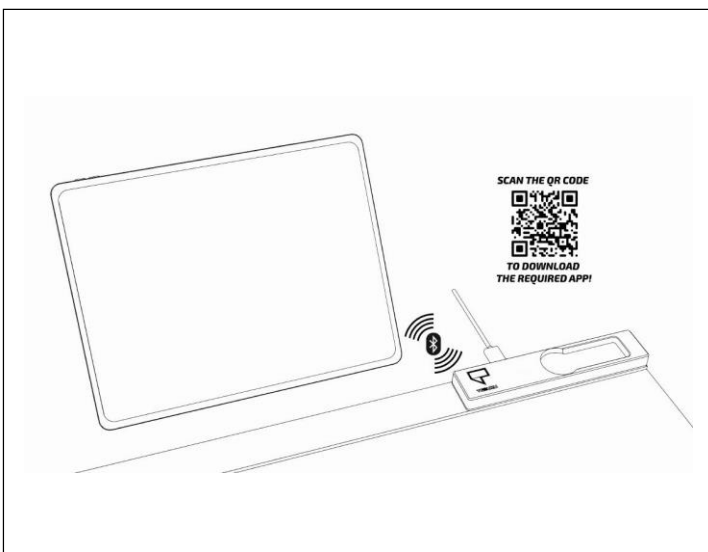
Quick Start Guide



Completely unfold the Teburu board

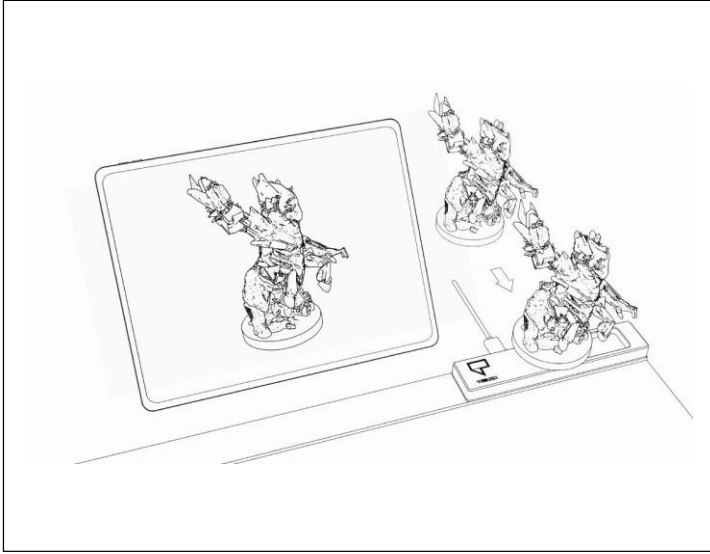


Plug the USB-C cable in the port and connect it to a USB power source - The Teburu logo will start blinking



WARNING! An app is required to operate the Teburu System

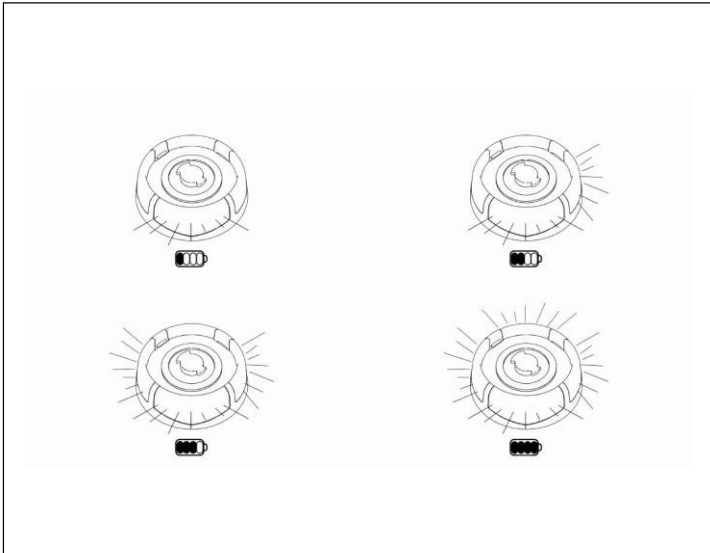
When prompted, scan minis by placing them in the round slot on the board



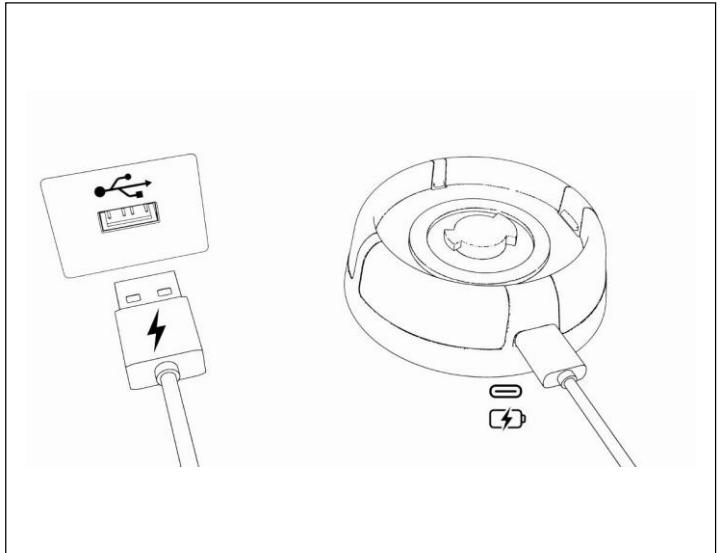
When prompted, scan the boss by placing it on top of the round slot of the board



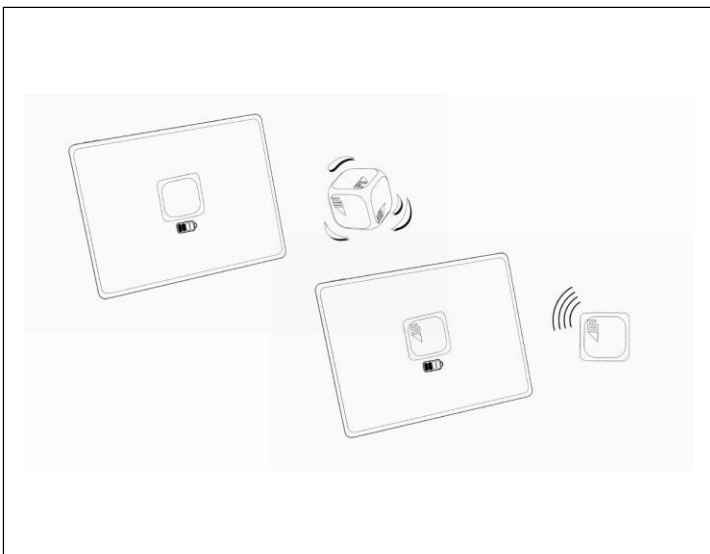
Insert the boss on the LED Ring by aligning the interlock and gently rotate it clockwise



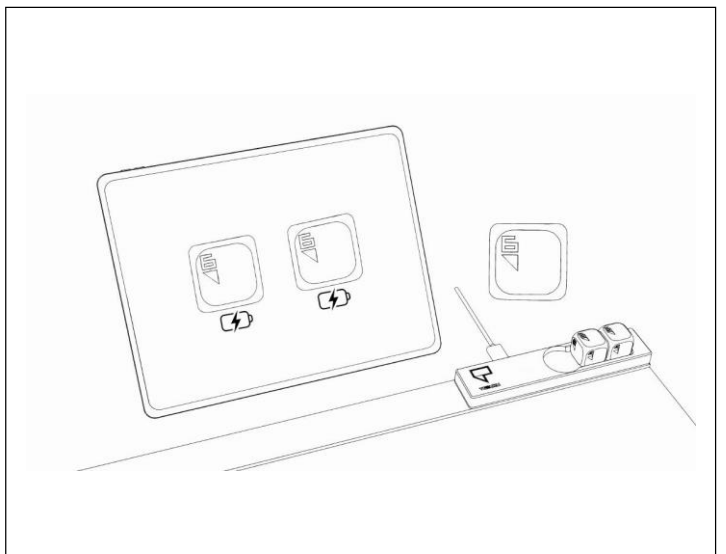
LED Ring will show battery charge status by turning on LEDs



To recharge the LED Ring, plug the USB-C cable in the port and connect it to a USB power source



When prompted, connect the dice by shaking them



To recharge the dice, put them on the recharge slot
Warning: to properly recharge, side #6 must face up